

NOTES:

F & I MAST ARMS WITH MANUFACTURER WELDED 3/4" HALF COUPLINGS AS SHOWN ON THE PLAN.

INSTALL CONTINUOUS WITHOUT SPLICE VIDEO DETECTION CABLES FROM THE CABINET TO THE CAMERA. SPLICING IS PROHIBITED UNLESS SPECIFIED AT A LOCATION REQUIRED IN THE CONTRACT DOCUMENTS. IF SPLICES ARE NOT SPECIFIED IN THE CONTRACT DOCUMENTS BUT IMPERATIVE TO EMPLOY, OBTAIN APPROVAL FROM THE ENGINEER AND THE SIGNAL DISTRICT TRAFFIC OFFICE BEFORE SPLICING.

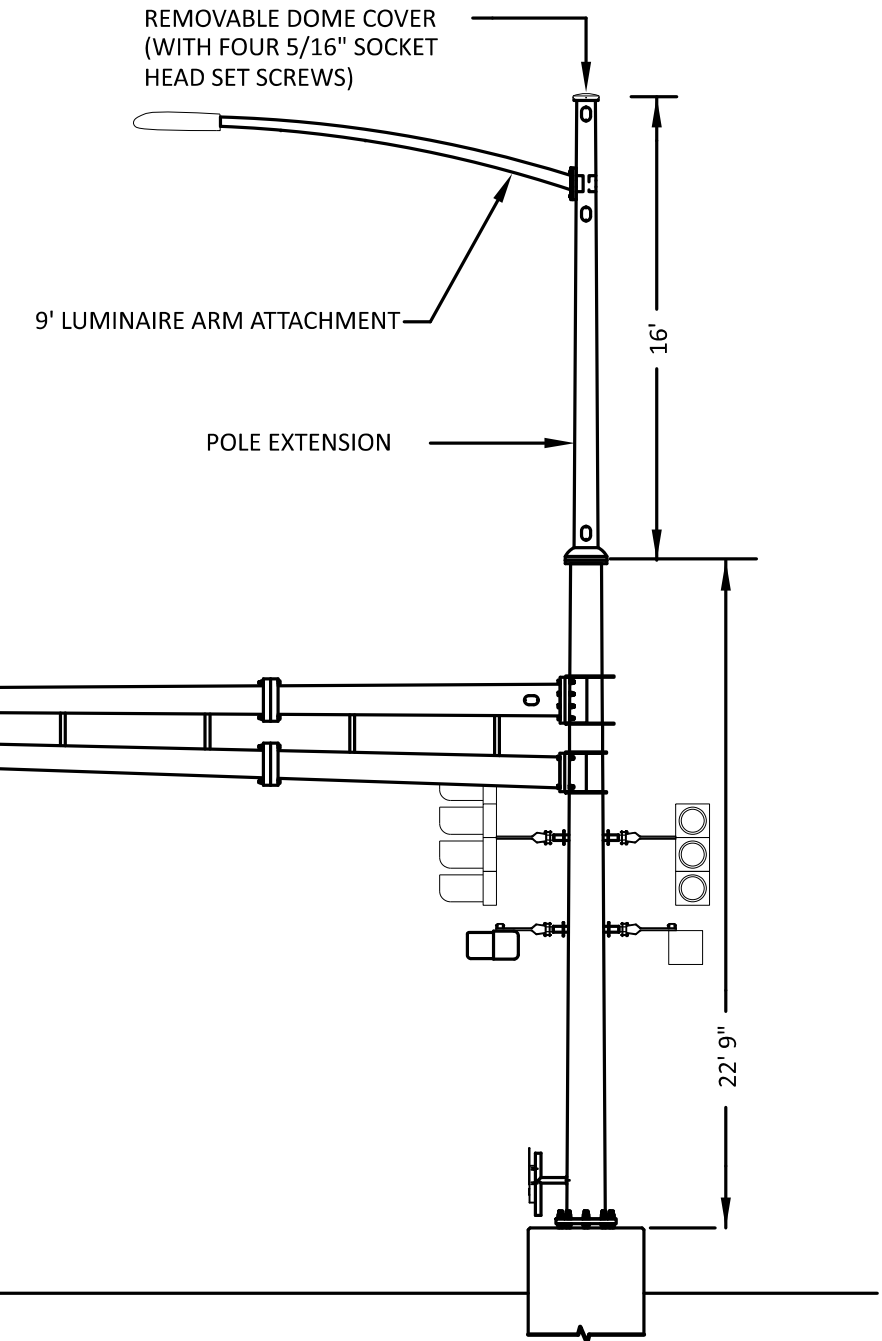
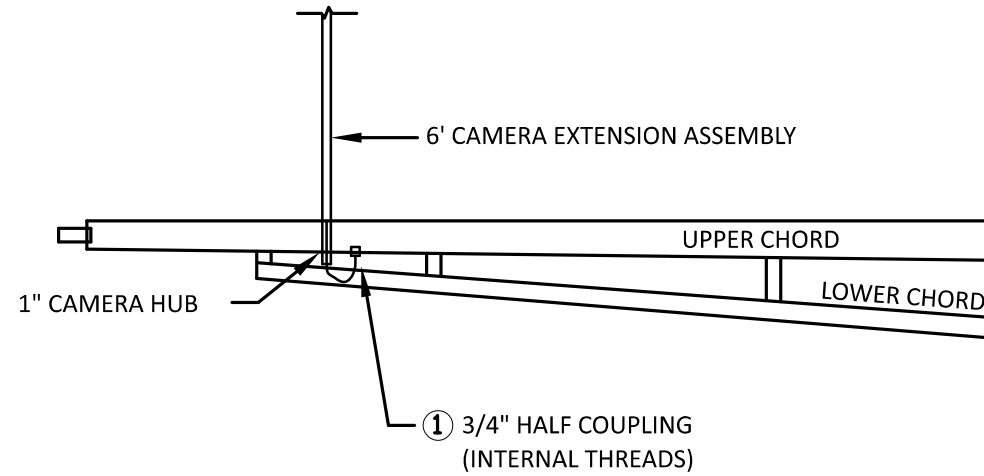
RUN CABLES INSIDE THE POLES, MAST ARMS AND CAMERA MOUNTING EXTENSIONS

F & I ALUMINUM TUBE CAMERA MOUNTING EXTENSIONS, ALUMINUM MOUNTING BRACKETS, AND STAINLESS STEEL STRAPS AND HARDWARE TO THE MAST ARM AS SHOWN ON THE PLAN. REVERSE THE MOUNTING BRACKET WHEN IN CONFLICT WITH THE MAST ARM SIGNING DETAIL.

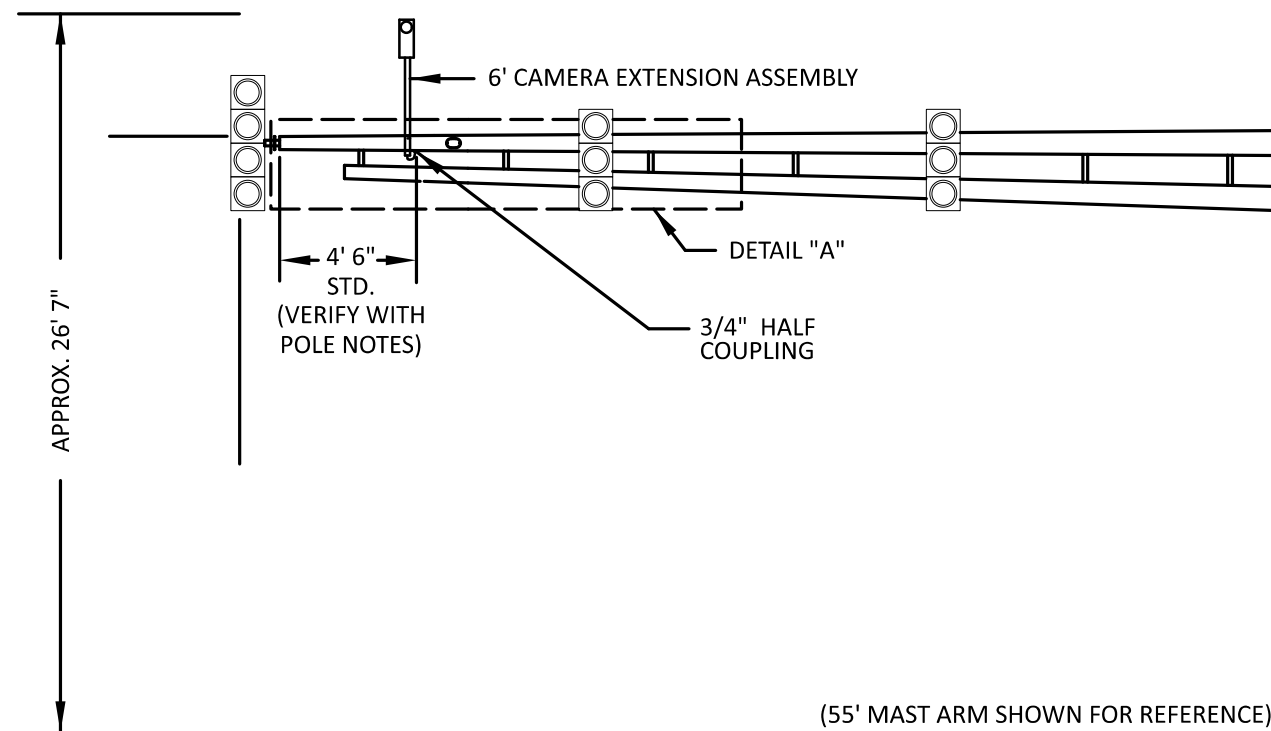
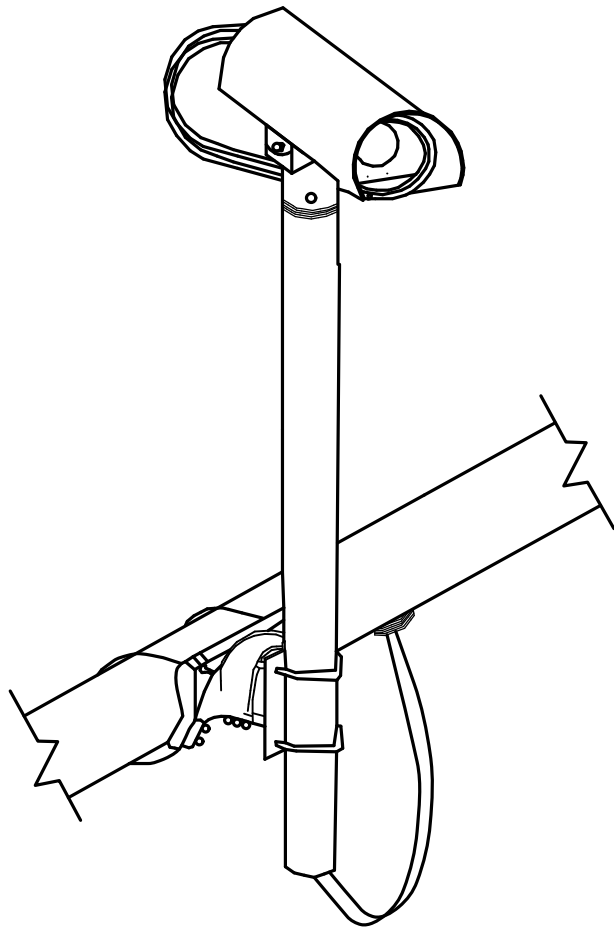
- ① F & I CORD GRIPS INTO THE 3/4" HALF COUPLINGS WHERE THE CABLES ARE ROUTED THROUGH

TYPICAL MAST ARM CAMERA MOUNTING DETAILS

DETAIL "A" (MAST ARM)



MAST ARM CAMERA INSTALLATION



14-MAR-2025

PLOTTED/REVISED:

PLOT NAME: TS Pole Directional Cam Detection Detail01312025
PATH & FILENAME: OTST\Signals\Details\TS Pole Extension\TS Pole Directional Cam Detection Detail01312025.dgn



LICENSED PROFESSIONAL ENGINEER

Will D. Zine
LIC. NO. 999666
DATE: 14-MAR-2025

I HEREBY CERTIFY THAT THIS PLAN SHEET WAS PREPARED BY ME OR UNDER MY DIRECT SUPERVISION AND THAT I AM A DULY LICENSED PROFESSIONAL ENGINEER UNDER THE LAWS OF THE STATE OF MINNESOTA.

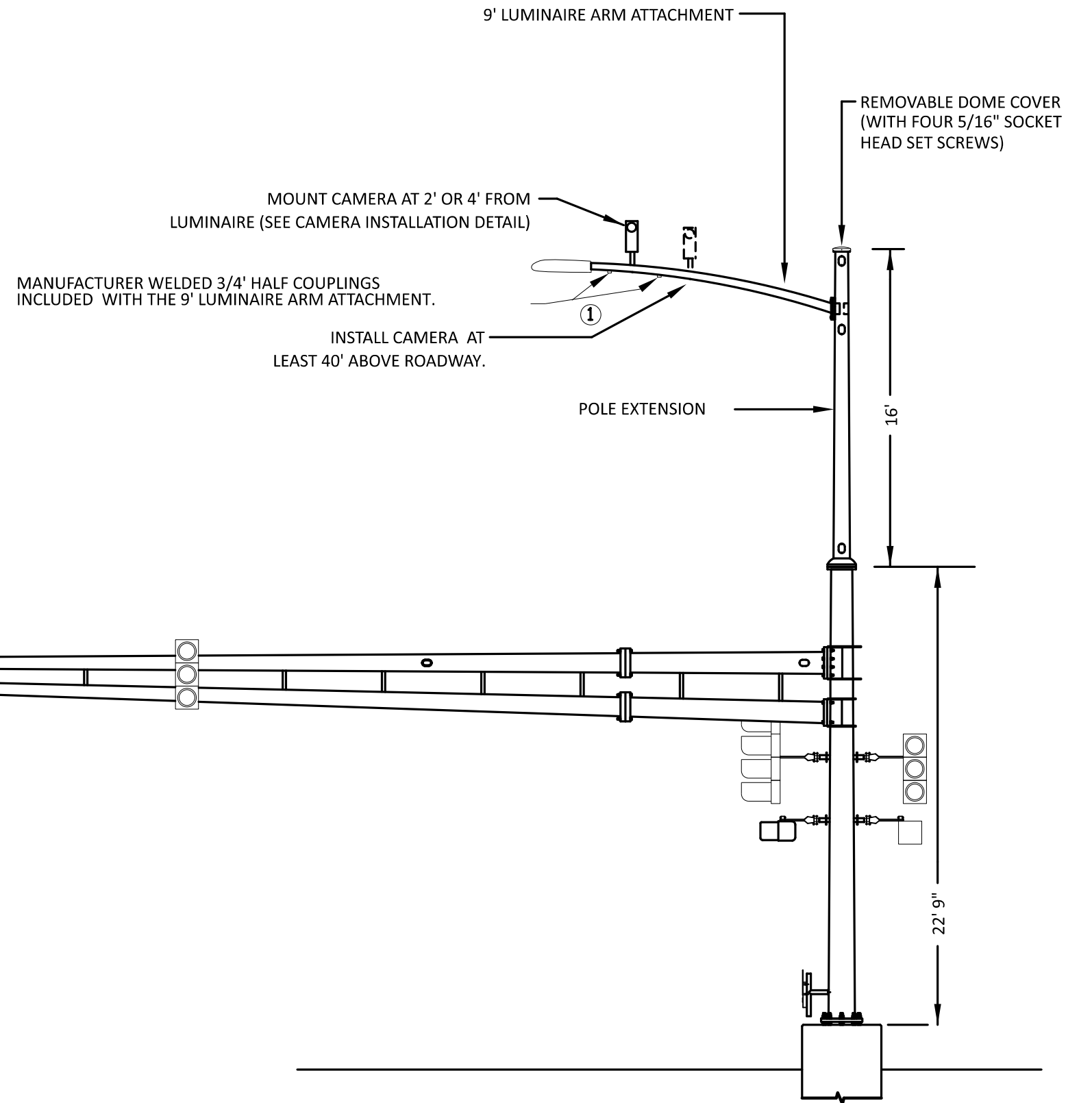
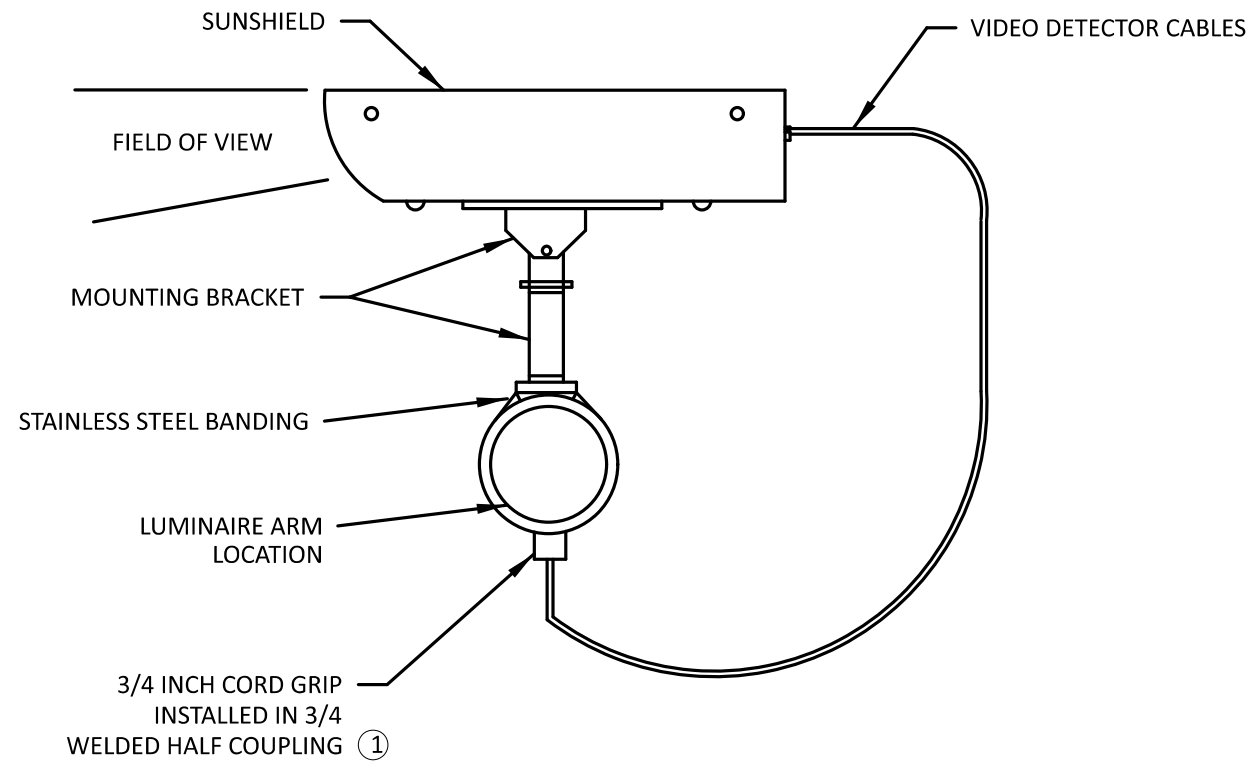
DIRECTIONAL CAMERA MOUNT DETAIL
MAST ARM MOUNT

STATE PROJ. NO. 9999-99
TH.H 156

SHEET NO. 2
TOTAL SHEETS 13

TYPICAL LUMINAIRE ARM CAMERA MOUNTING DETAILS

CAMERA INSTALLATION DETAIL



NOTES:

FURNISH AND INSTALL CAMERA DETECTION EQUIPMENT

INSTALL CONTINUOUS WITHOUT SPLICE VIDEO DETECTION CABLES FROM THE CABINET TO THE CAMERA. SPLICING IS PROHIBITED UNLESS SPECIFIED AT A LOCATION REQUIRED IN THE CONTRACT DOCUMENTS. IF SPLICES ARE NOT SPECIFIED IN THE CONTRACT DOCUMENTS BUT IMPERATIVE TO EMPLOY, OBTAIN APPROVAL FROM THE ENGINEER AND THE SIGNAL DISTRICT TRAFFIC OFFICE BEFORE SPLICING.

FURNISH AND INSTALL CABLES FOR CAMERA OPERATION AS SPECIFIED IN SPECIAL PROVISIONS AND IN ACCORDANCE WITH THE VIDEO DETECTION MANUFACTURER.

① F & I CORD GRIPS INTO THE 3/4" HALF COUPLINGS TO SECURE THE CABLES.

14-MAR-2025

PLOTTED/REVISED:

PLOT NAME: TS Pole Directional Cam Detection Detail01312025
 PATH & FILENAME: OTST\Signals\Details\TS Pole Extension\TS Pole Directional Cam Detection Detail01312025.dgn



LICENSED PROFESSIONAL ENGINEER

Will D. Zine
 LIC. NO. 999666
 DATE: 14-MAR-2025

I HEREBY CERTIFY THAT THIS PLAN SHEET WAS PREPARED BY ME OR UNDER MY DIRECT SUPERVISION AND THAT I AM A DULY LICENSED PROFESSIONAL ENGINEER UNDER THE LAWS OF THE STATE OF MINNESOTA.

DIRECTIONAL CAMERA MOUNT DETAIL
 LUMINAIRE EXTENSION

STATE PROJ. NO. 9999-99

TH.H 156

SHEET NO. 2

TOTAL SHEETS 13